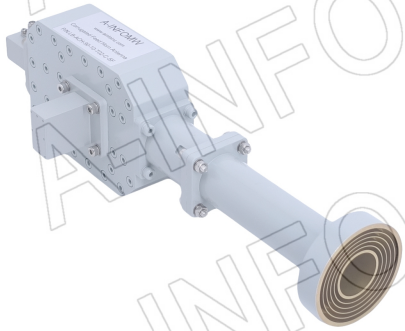


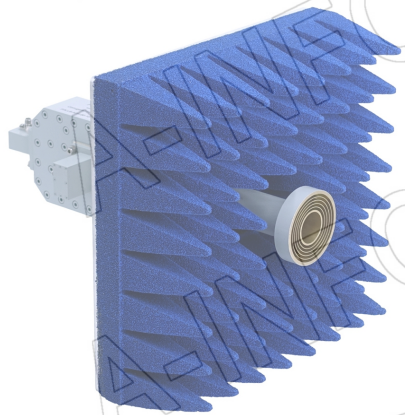
For reference only. See data sheet for the detailed specifications.

Technical Specification

LB-ACH-90-10-T02-C-SF



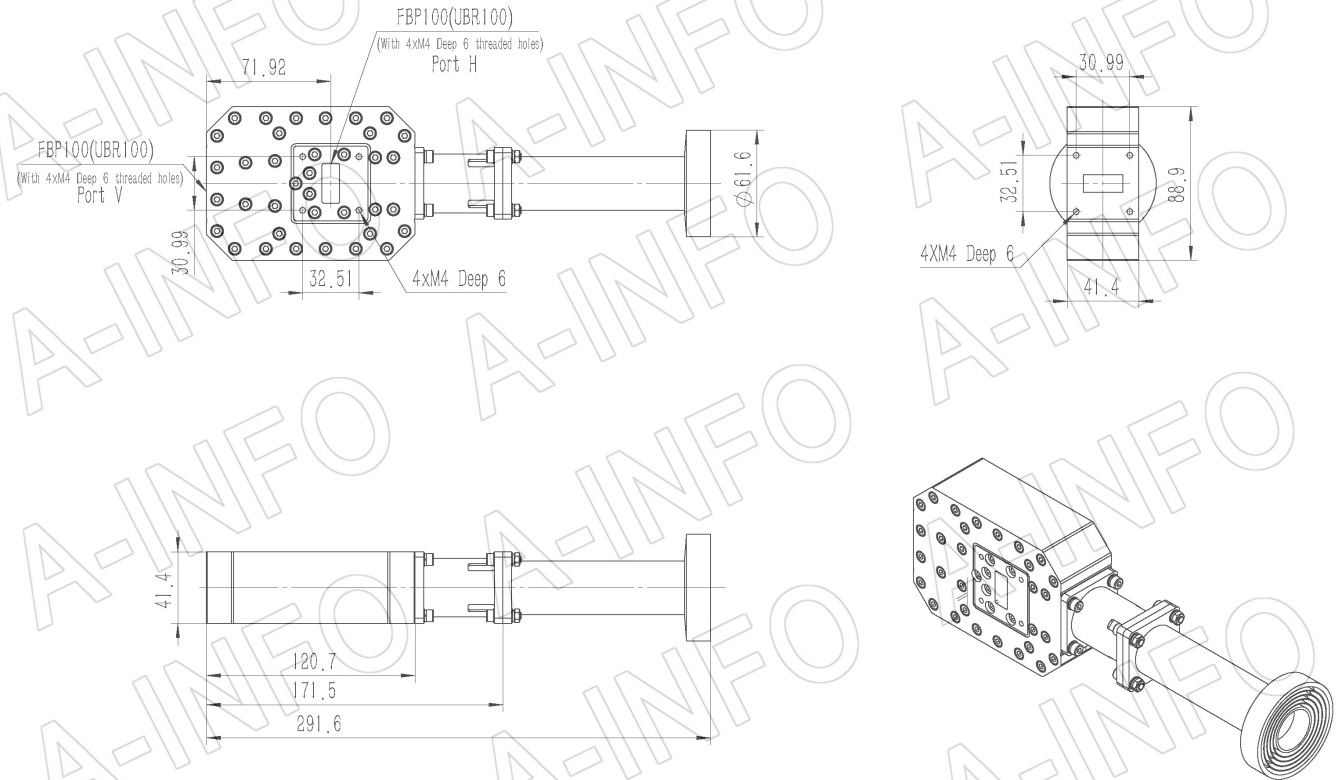
LB-ACH-90-10-T02-C-SF-A1



| | | |
|----------------------------|--|---|
| Frequency Range(GHz) | 8.2 – 12.4 | |
| Waveguide | WR90 | |
| Gain(dBi) | 10 Typ. | |
| Polarization | Dual Linear | |
| 3dB Beamwidth(deg) | E Plane: | 53 Typ. |
| | H Plane: | 55 Typ. |
| 10dB Beamwidth(deg) | E Plane: | 99 Typ. |
| | H Plane: | 102 Typ. |
| Cross Pol. Isolation(dB) | 45 Typ. | |
| Port to Port Isolation(dB) | 50 Typ. ; 40 Min. | |
| VSWR | A Type: | 1.30:1 Typ. |
| | C Type: | 1.50:1 Typ. |
| Output | A Type: | FBP100(UBR100) (With 4xM4 D6 threaded holes) |
| | C Type: | SMA-Female or N-Female or TNC-Female or 7mm or 3.5mm-Female |
| Material | Al | |
| Finish | Silver Plated and Chemical Conversion Coating, Gray Paint | |
| Size(mm) | A Type: | 61.6 x 88.9 x 291.6 |
| | C Type: | 89.5 x 88.9 x 329.6 |
| | A-A1: | 266.4 x 266.4 x 291.6 |
| | C-A1: | 266.4 x 266.4 x 329.6 |
| Net Weight(Kg) | A Type: | 1.26 Around |
| | C Type: | 1.38 Around |
| | A-A1: | 2.64 Around |
| | C-A1: | 2.76 Around |

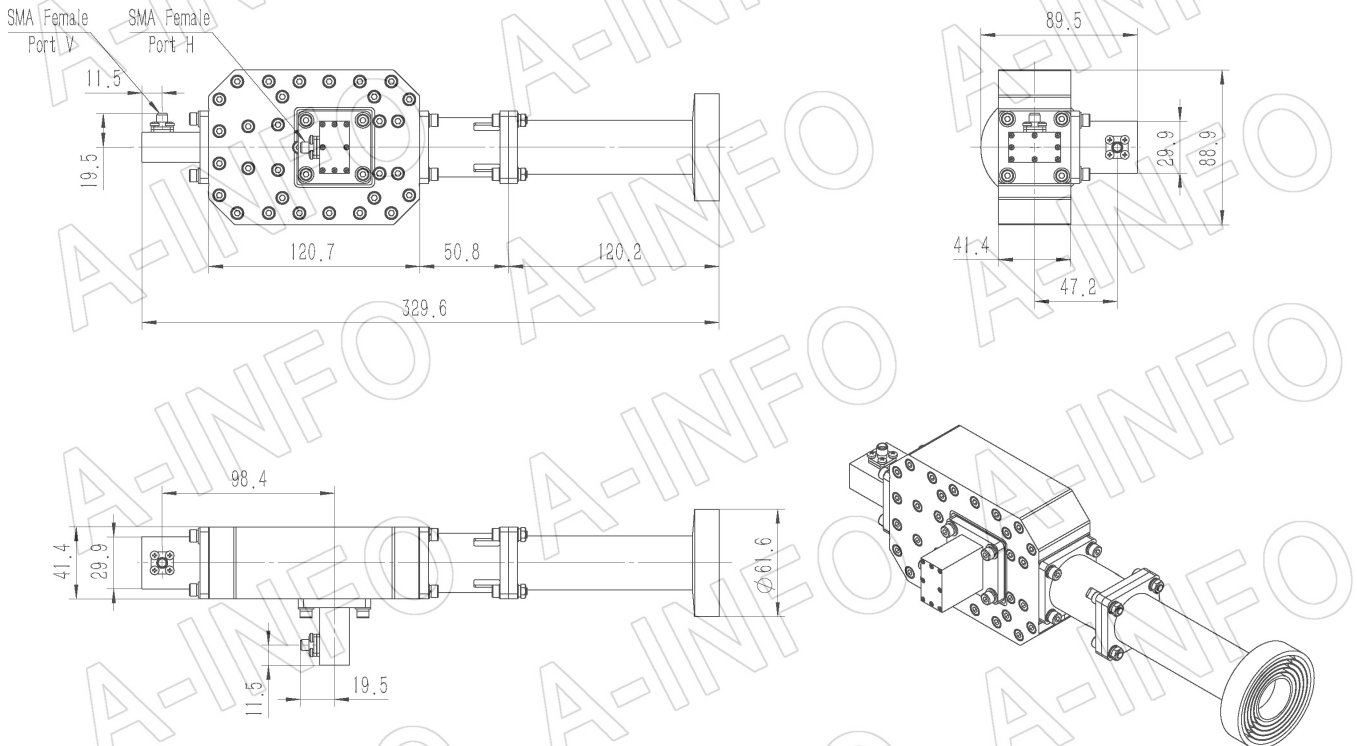
Outline Drawing (Size: mm)

FBP100 Output (P/N: LB-ACH-90-10-T02-A)



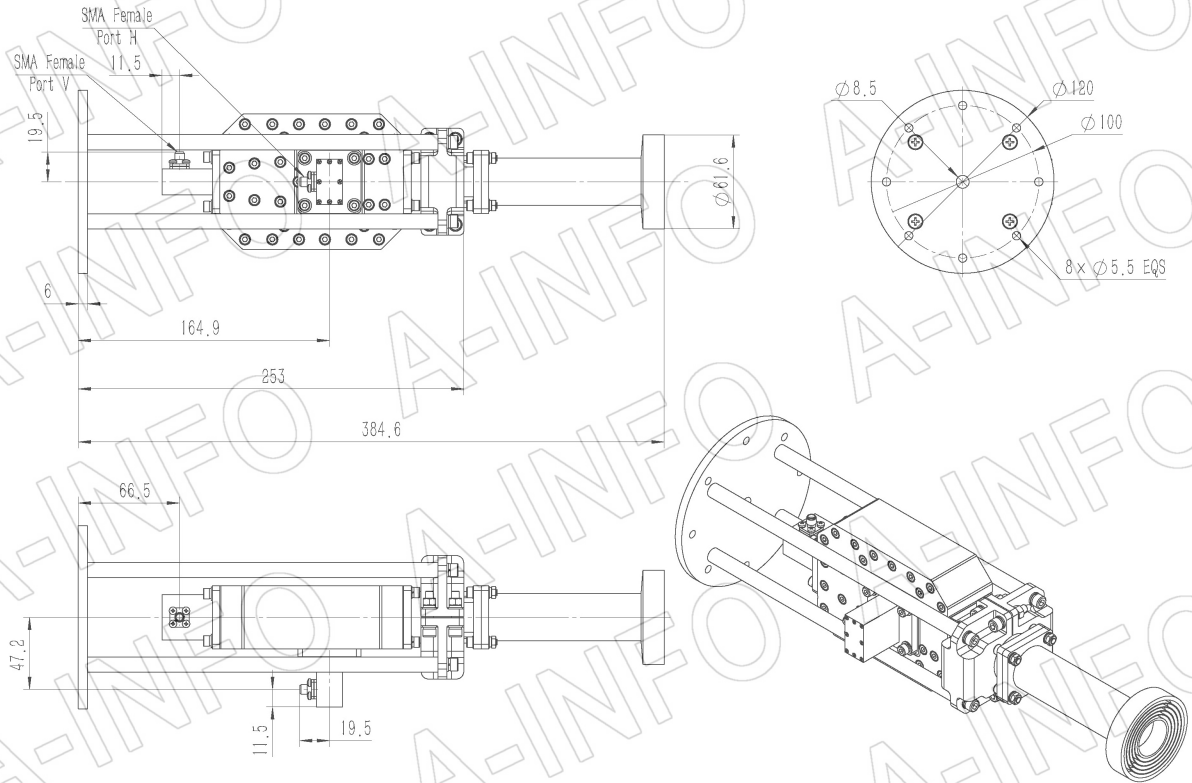
SMA-Female Output (P/N: LB-ACH-90-10-T02-C-SF)

For N-Female, TNC- Female, 7mm or 3.5mm-Female output outline drawing, please contact A-INFO.



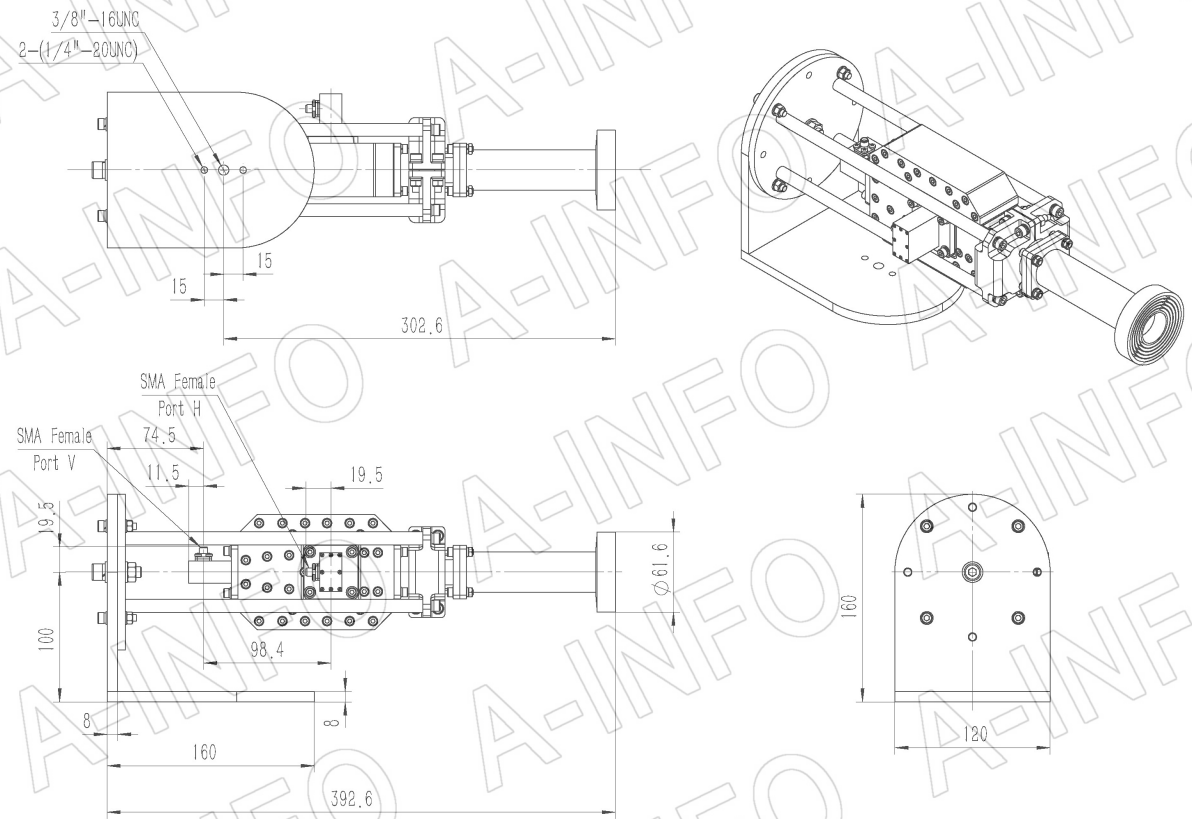
SMA-Female Output with Round Mounting Bracket (Option, P/N: LB-CN-90-10-MB)

For N-Female, TNC- Female, 7mm or 3.5mm-Female output outline drawing, please contact A-INFO.

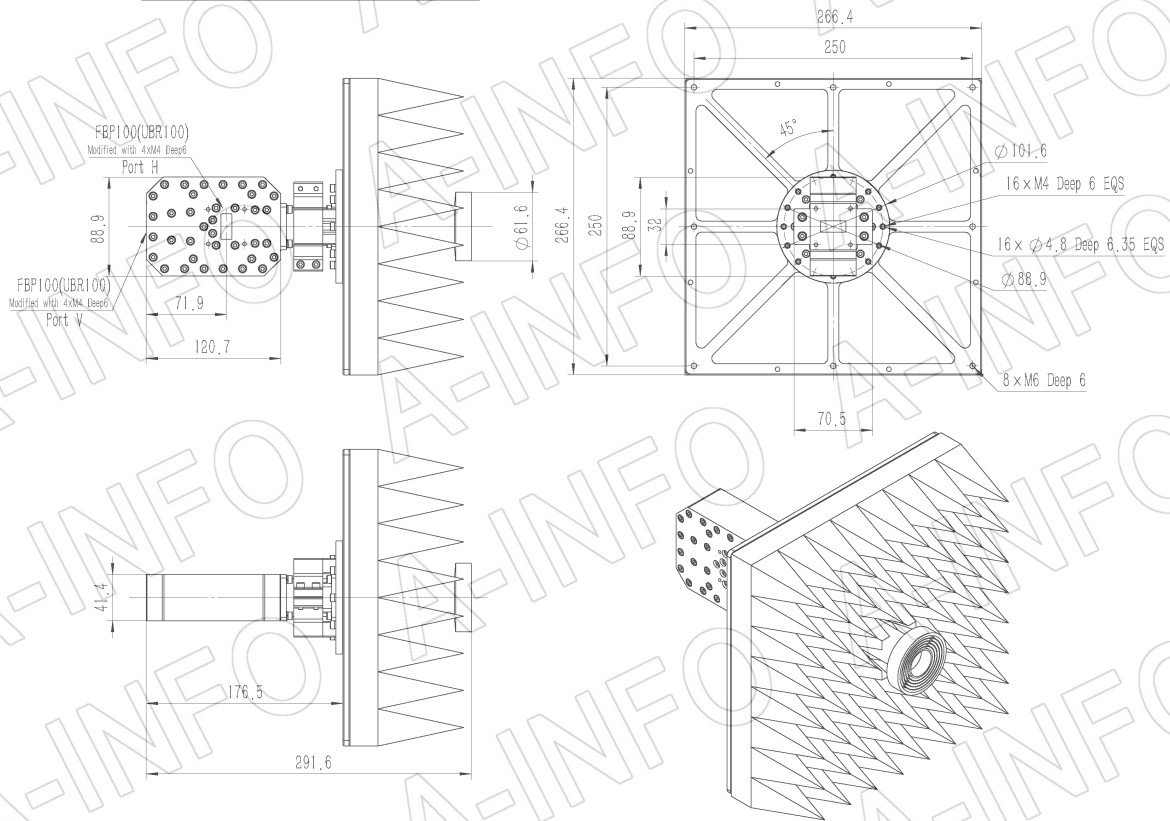


SMA-Female Output with L Type Mounting Bracket (Option, P/N: LB-CN-90-10-MBL)

For N-Female, TNC- Female, 7mm or 3.5mm-Female output outline drawing, please contact A-INFO.

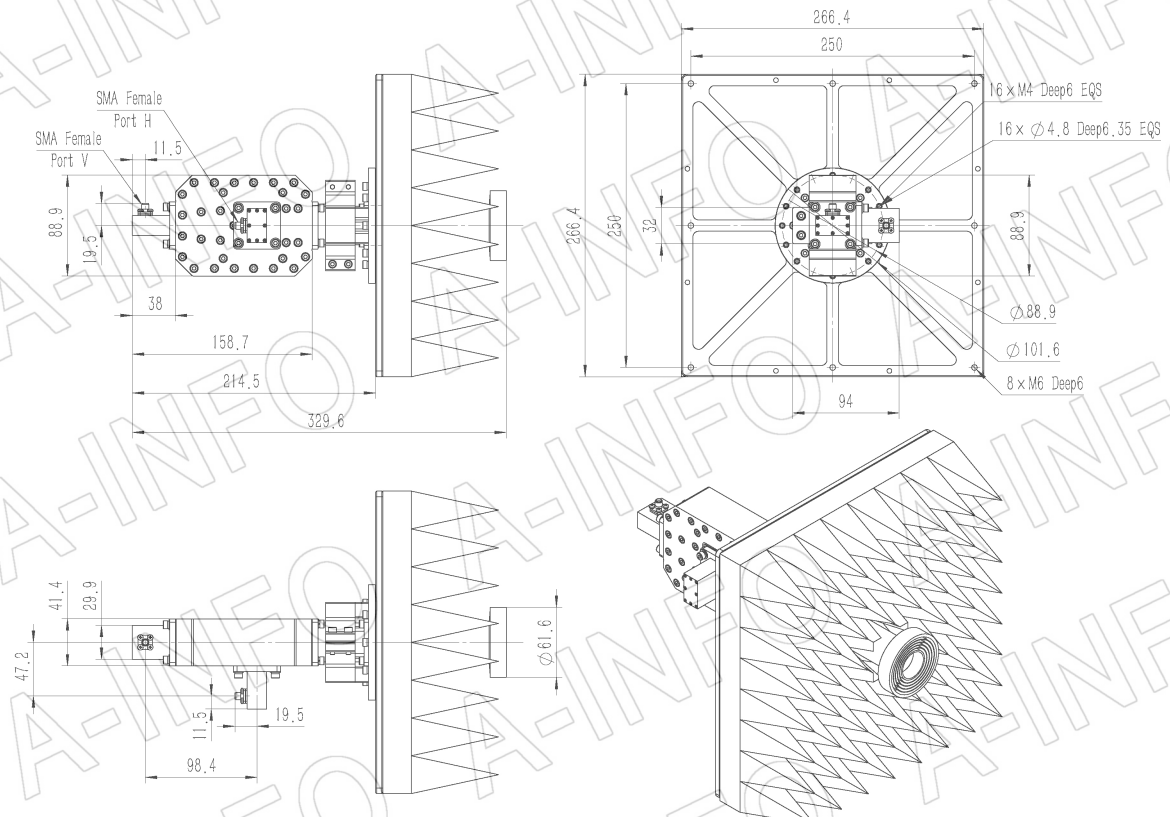


FBP100 Output, Equipped with Absorber (Option, P/N: LB-ACH-90-10-T02-A-A1)



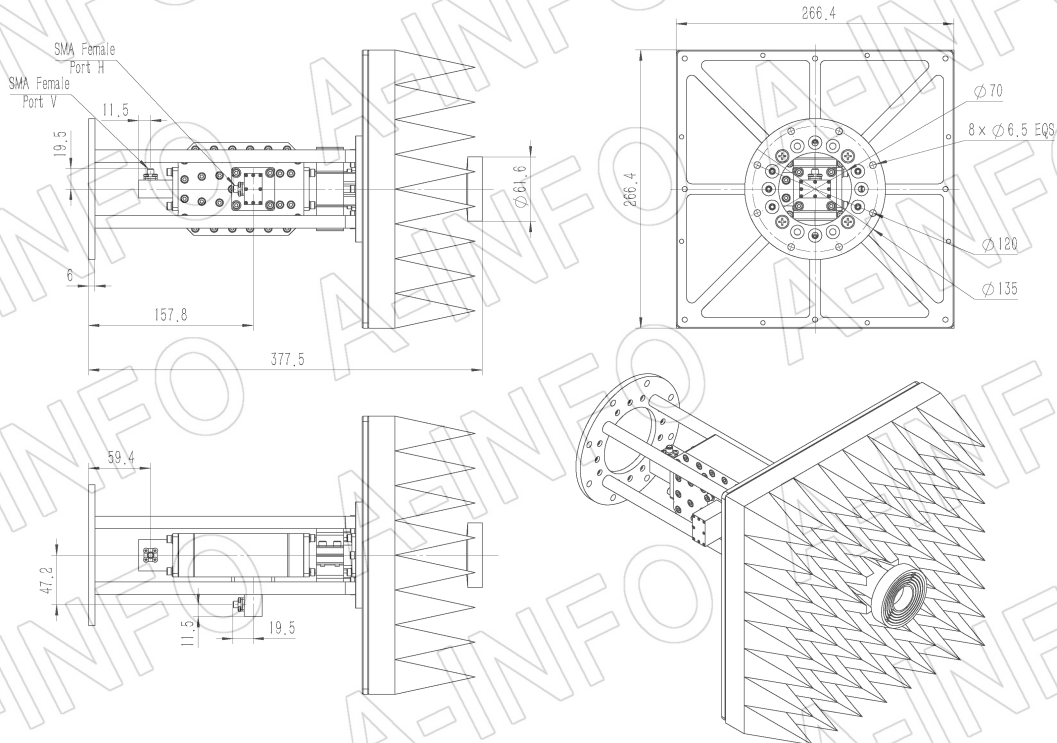
SMA-Female Output, Equipped with Absorber (Option, P/N: LB-ACH-90-10-T02-C-SF-A1)

For N-Female, TNC- Female, 7mm or 3.5mm-Female output outline drawing, please contact A-INFO.



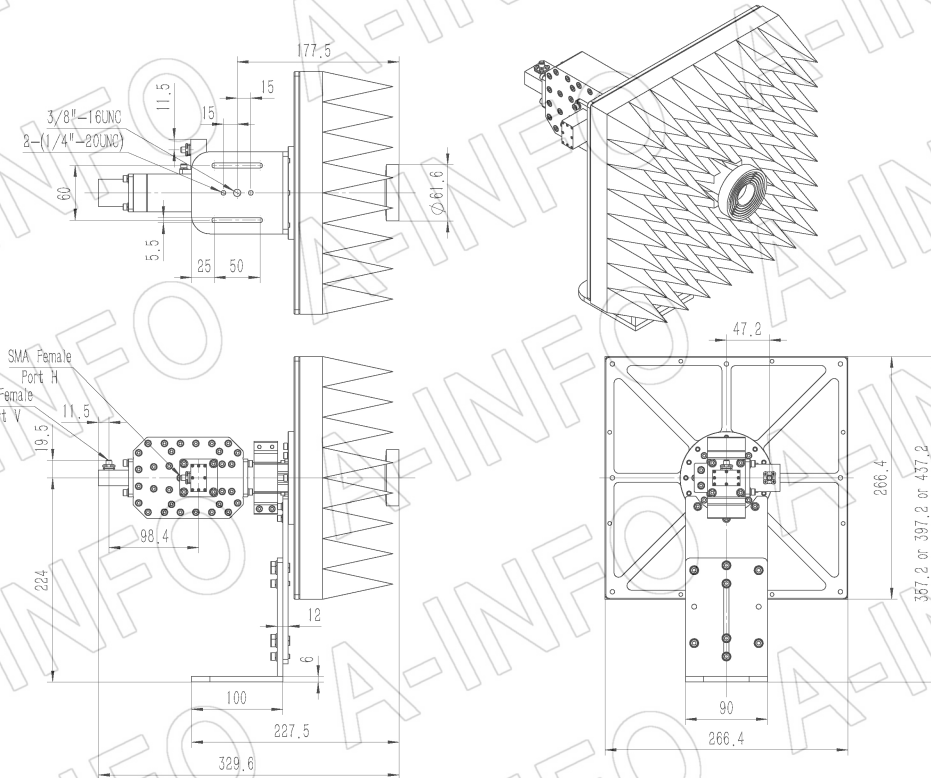
SMA-Female Output with Round Mounting Bracket & Equipped with Absorber (Option, P/N: EWG-MB40 & LB-ACH-90-10-T02-C-SF-A1)

For N-Female, TNC- Female, 7mm or 3.5mm-Female output outline drawing, please contact A-INFO.

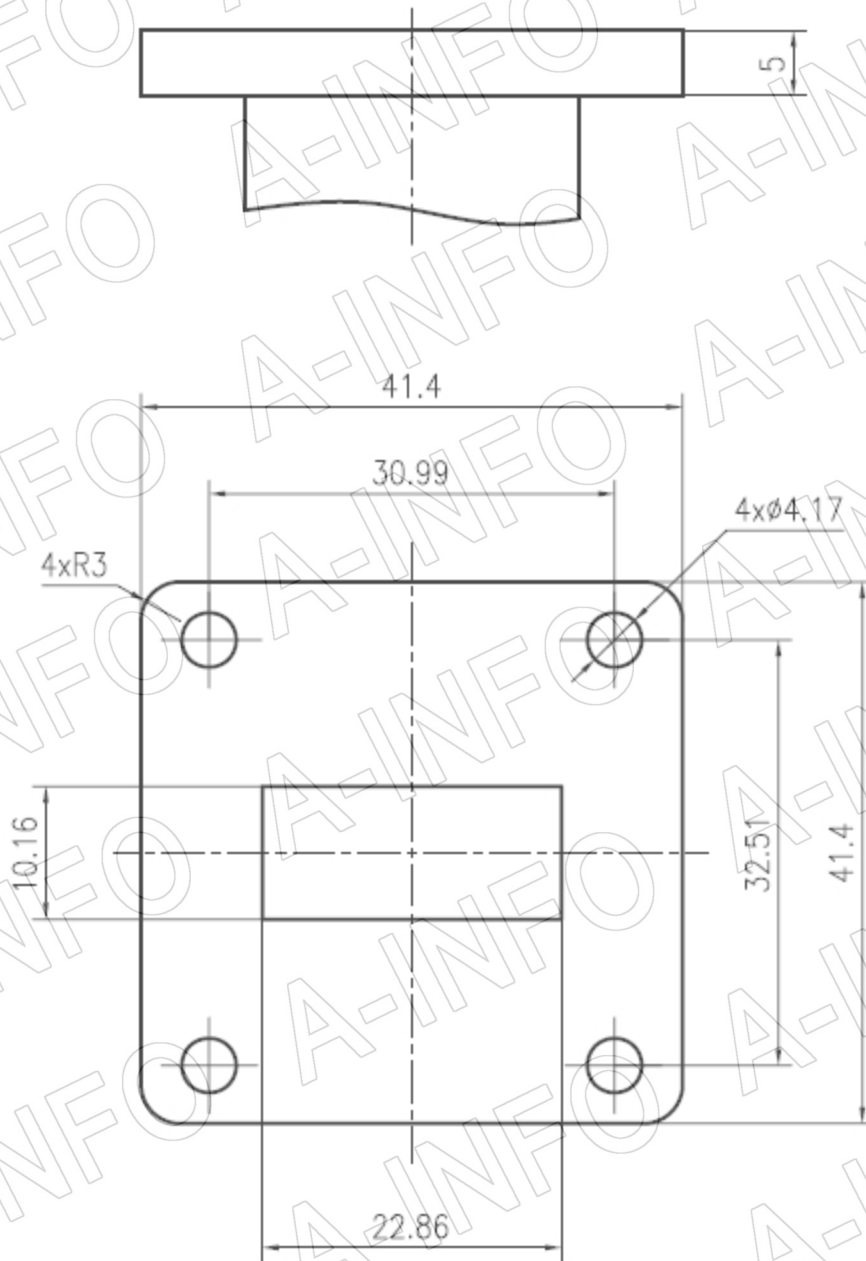


SMA-Female Output with L Type Mounting Bracket & Equipped with Absorber (Option, P/N: EWG-L40 & LB-ACH-90-10-T02-C-SF-A1)

For N-Female, TNC- Female, 7mm or 3.5mm-Female output outline drawing, please contact A-INFO.



Flange Drawing (Size: mm)



FBP100

AINFO Inc.

China(Beijing): Tel: (+86) 10-6266-7326,
China(Chengdu): Tel: (+86) 28-8519-2786,
USA : Tel: (+1) 949-639-9688,

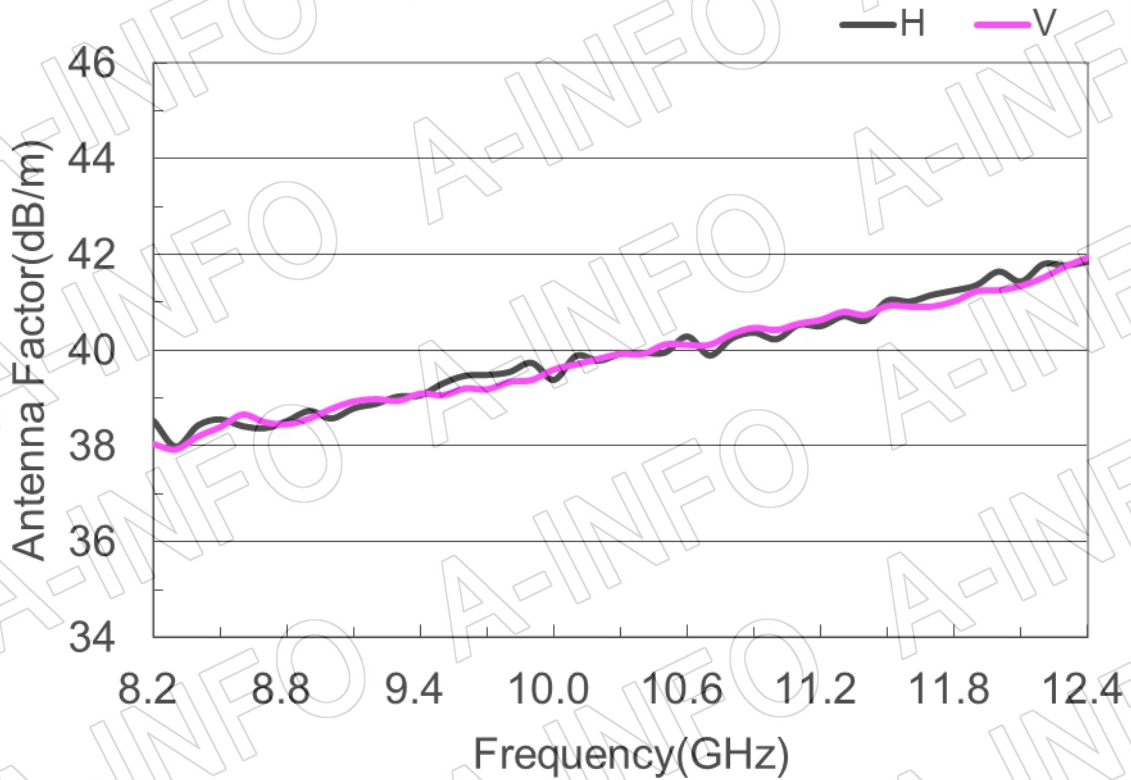
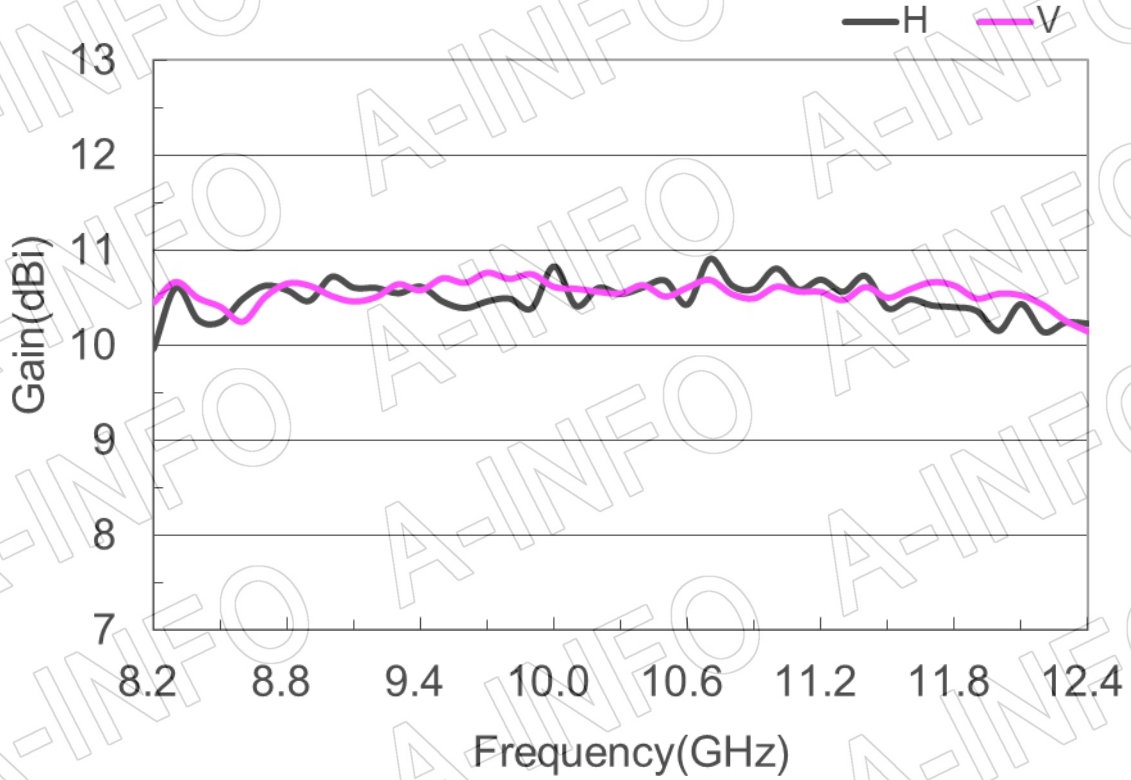
Page 6 of 12

(+86) 10-6266-7327 Fax: (+86) 10-6266-7379
(+86) 28-8519-3044 Fax: (+86) 28-8519-3068
(+1) 949-639-9608 Fax: (+1) 949-639-9670

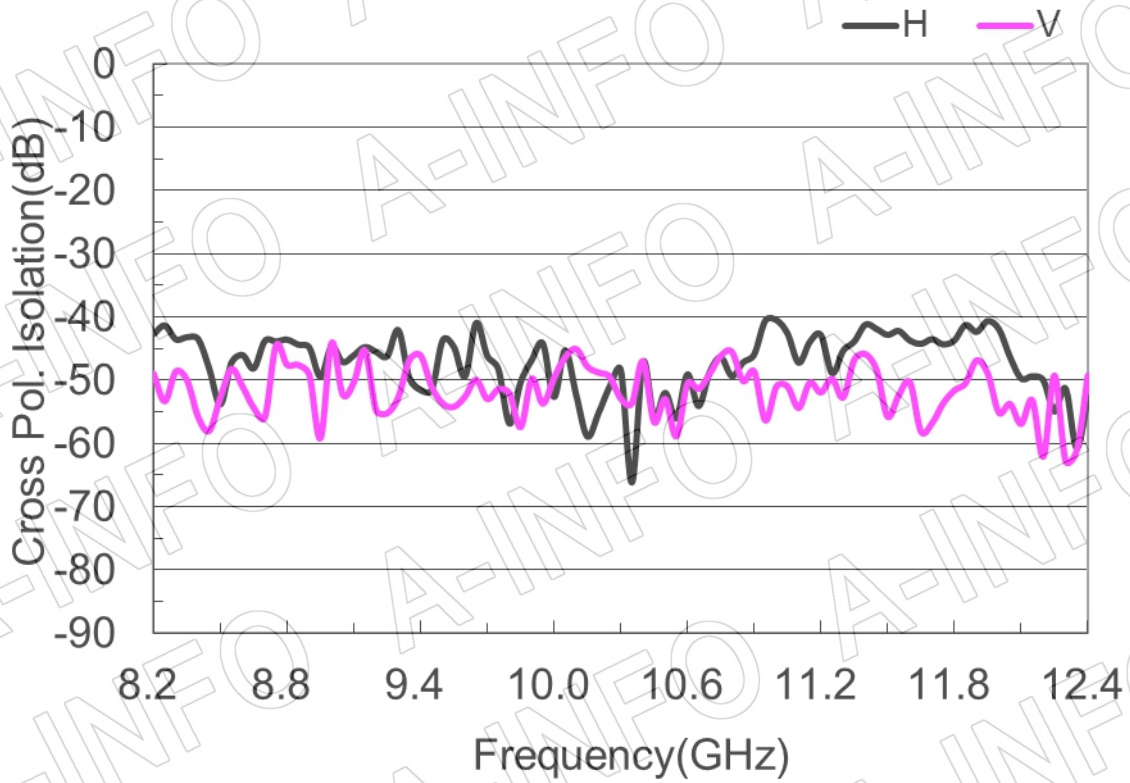
Website: www.ainfoinc.com
Email: sales@ainfoinc.com

Test Results

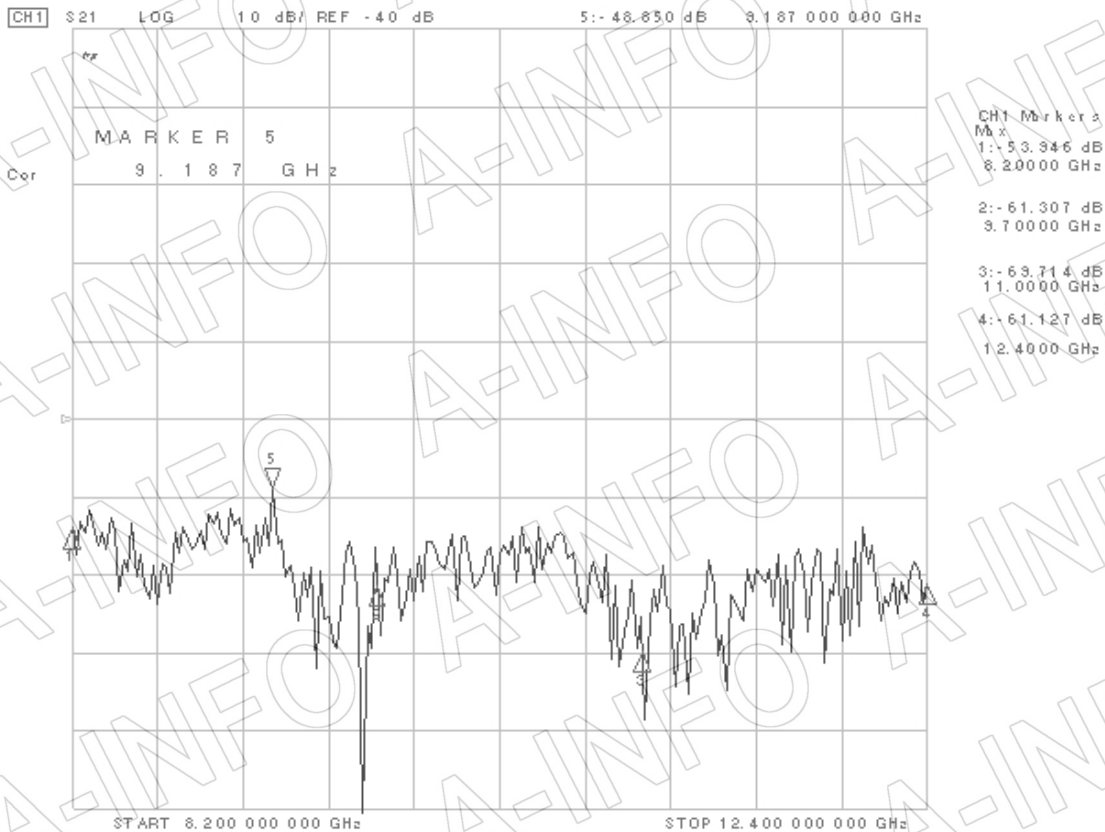
1. Gain & Antenna Factor



2. Cross Polarization Isolation

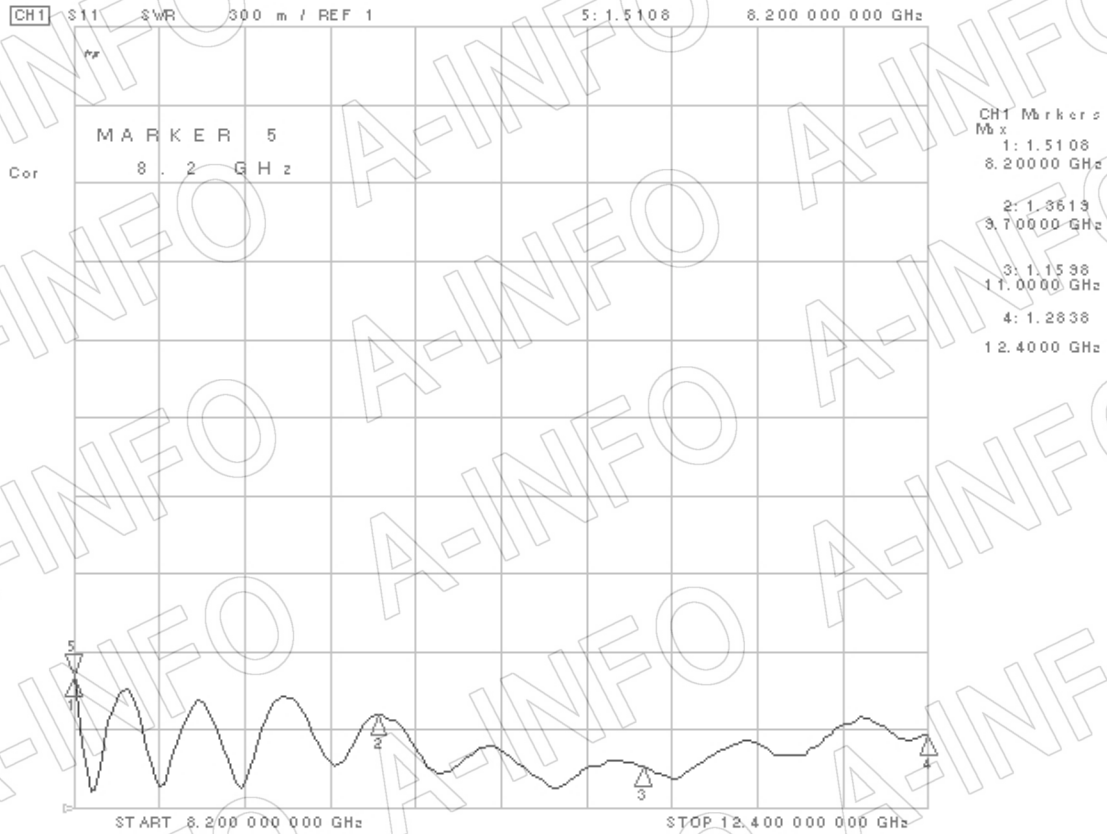


3. Port to Port Isolation

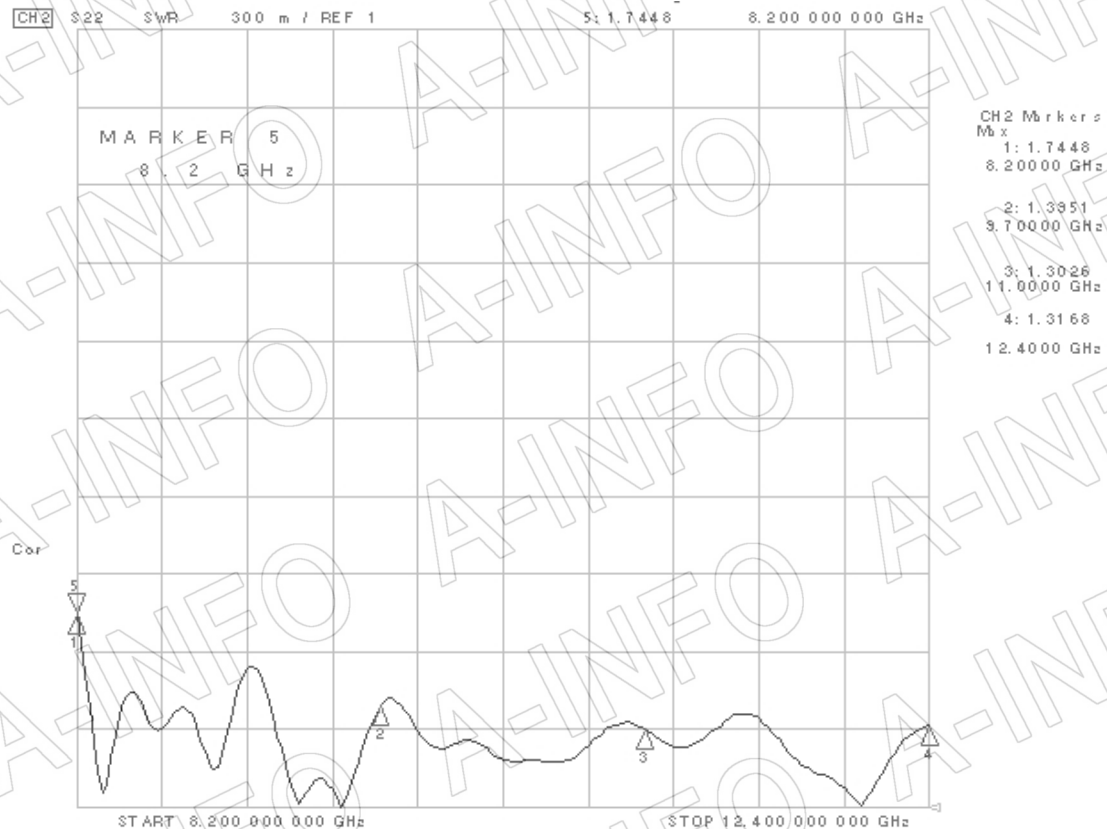


4. VSWR_A Type

Port-H

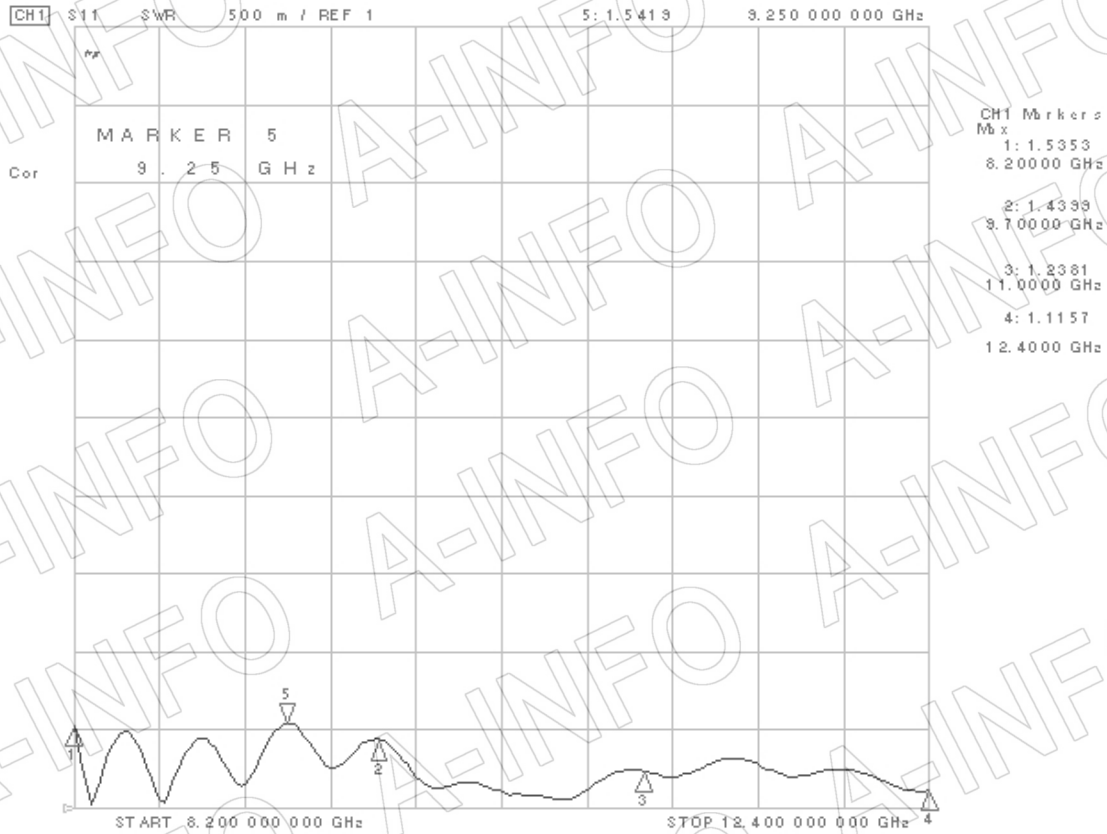


Port-V

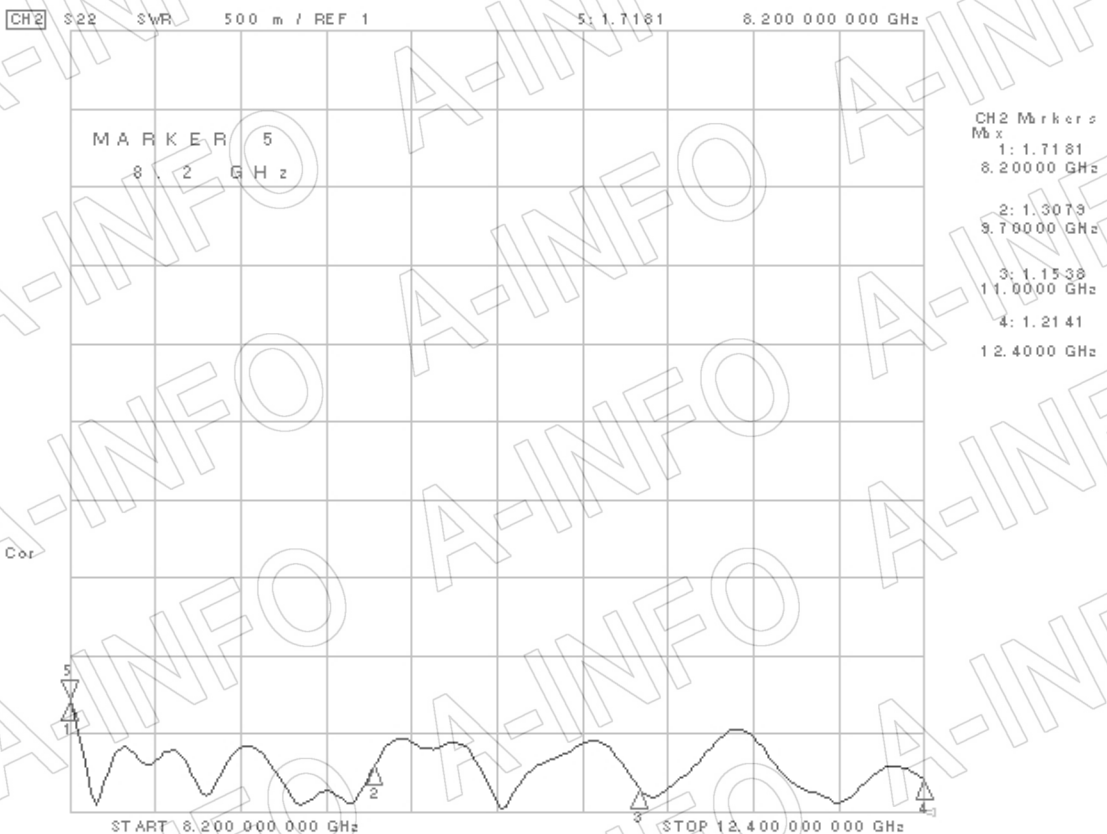


VSWR_C Type

Port-H



Port-V



5. Pattern

